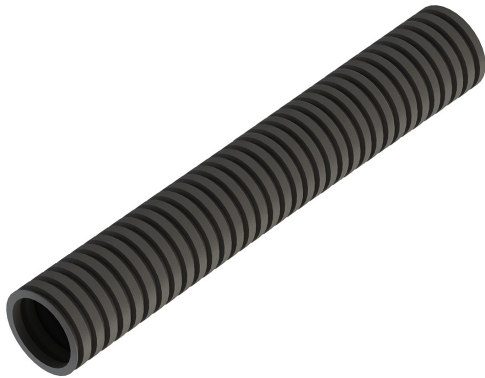


PRODUCT CODE: FC20-100
PVC FLEXIBLE CONDUIT



DESCRIPTION

20mm PVC Flexible Conduit - 100mtr Coil

FINISH

Black

MATERIAL

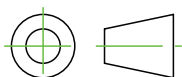
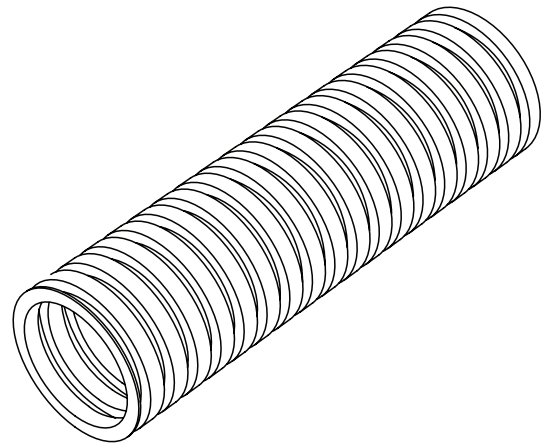
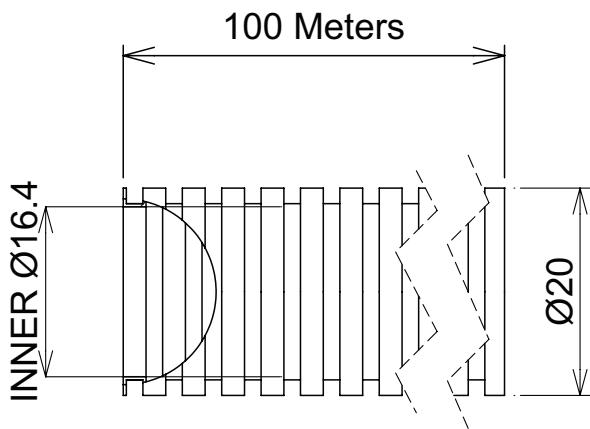
Self Extinguishing PVC

PACKAGING

Packed in qty 1

ADDITIONAL NOTES

IP40 Rated
Temperature Range: -15°C to 60°C
Compression Class: 2 (320N)



Values are nominal and with a general tolerance $\pm 5\%$ unless otherwise specified